

Saudi Electricity Company



الشركة السعودية للكهرباء

SEC Distribution Materials Specifications

56-SDMS-06 Rev 0

DATE: 29-01-2013G

SINGLE TRAILER MONTED MOBILE SUBSTATIONS, 33/13.8KV

Prepared By: Technical Support Department of Distribution Services Sector



SEC Distribution Materials Specifications

56-SDMS-06 Rev 0

DATE: 29-01-2013G

APPROVALS

OA/TSD	Originated By	Certified By: Department Managers DEDs and TSD	Approved by EDSS
EOA			
WOA			
COA			
SOA			
TSD			

**SEC Distribution Materials Specifications**

56-SDMS-06 Rev 0

DATE: 29-01-2013G

TABLE OF CONTENTS

- 1.0 INTRODUCTION
- 2.0 CROSS REFERENCES
- 3.0 APPLICABLE CODES AND STANDARDS
- 4.0 BASIC REQUIREMENTS AND GUIDELINES
- 5.0 SCOPE OF SUPPLY
- 6.0 REQUIREMENTS OF MAJOR MATERIALS AND EQUIPMENT
- 7.0 TESTS
- 8.0 TECHNICAL DATA SCHEDULES
- 9.0 SCHEDULE OF SCOPE OF WORK
- 10.0 CTS REQUIREMENT DETAILS (REFEREED TO ATTACHED SLD)
- 11.0 LIST OF DOCUMENTS AND SCHEDULES TO BE SUBMITTED
- 12.0 SINGLE LINE DIAGRAM (SLD)



SEC Distribution Materials Specifications

56-SDMS-06 Rev 0

DATE: 29-01-2013G

1.0 INTRODUCTION

The proposed Mobile Substations (20MVA and 10MVA) are to provide alternative source of supply to customers temporarily, in case of loss of regular supply due to damage/fault occurring to network equipments. Hence, the design and supply of Mobile Substation shall cover/match and suit all the possible conditions, with easy free mobility. The following are the expected cases:

- Failure of incoming supply either from Overhead Line or Underground Cable to 33/13.8kV System of Substation.
- Failure of 33/13.8kV Power Transformers.
- Failure of 33kV and or 13.8kV Switchgears.

The other utilization is to relieve overloaded substations or connection of rental generation to 33KV network thru this mobile substation.

The Mobile Substations shall have facilities to suit the above conditions.

2.0 CROSS REFERENCES

This Material Standard Specification shall be read in conjunction with the latest revision of SEC General Specification No.01-SDMS-01, titled "General Requirements for All Equipment/ Materials" which shall be considered as an integral part of this SDMS.

This SDMS shall also be read in conjunction with SEC Purchase Order or Contract Schedules for project, as applicable.

3.0 APPLICABLE CODES AND STANDARDS

The latest revisions/amendments of the following Codes and Standards shall be applicable for the equipment/material covered in this SMSS. In case of conflict, the vendor/manufacturer may propose equipment/material conforming to one group of Industry Codes and Standards quoted hereunder without jeopardizing the requirements of this SDMS.

- | | | |
|-----|-------------|--|
| 3.1 | IEC 60044-1 | Instrument Transformer - Part 1 (CT) |
| 3.2 | IEC 60044-6 | Instrument Transformer - Part 2 (Inductive VT) |
| 3.3 | IEC 60255 | Electrical Relays |



SEC Distribution Materials Specifications

56-SDMS-06 Rev 0

DATE: 29-01-2013G

3.4	BS 142	Electrical Protection Relays
3.5	IEEE 37.91	Guide for Protective Relay Applications to Power Transformers
3.6	ANSI C37.24	IEEE Standard Guide for Evaluating the Effect of Solar Radiation on Outdoor Metal clad Switchgear
3.7	ANSI C37.32	Schedule of Preferred Ratings, Manufacturing Specifications, and Application Guide for Air Switches, Bus Supports and Switch Accessories
3.8	ANSI C37.46	Specifications for Power Fuses and Fuse Disconnecting Switches
3.9	NEMA Pub.#201	Primary Unit Substations
3.10	SASO 39/1978	Mechanical Test of Welded Joints
3.11	SASO/SSA-53	Graphic Symbols
3.12	SASO/SSA-55	PVC Insulated Cables
3.13	01-SDMS-01 (Rev. 1)	General Requirements for All Equipment/Materials
3.14	11-SDMS-03 (Rev. 1)	XLPE Insulated Power Cables, 15kV to 36kV
3.15	11-TMSS-10 (Rev. 0)	Power and/or Control Cable, Cu. or Al. Conductor, 600/1000V Rating
3.16	11-SMSS-11 (Rev. 0)	Instrumentation Cables, Shielded
3.17	12-SDMS-01 (Rev. 1)	Cable Joints, Terminations and Accessories up to 36 kV
3.18	12-SDMS-02 (Rev. 2)	Lugs and Connectors for MV/LV Distribution System



SEC Distribution Materials Specifications

56-SDMS-06 Rev 0

DATE: 29-01-2013G

3.19	23-SDMS-1 (Rev. 0)	PVC Conduits and Fittings for Underground cables
3.20	23-TMSS-02 (Rev. 0)	Duct Sealing Unit
3.21	30-TMSS-01 (Rev.0)	Air break Disconnect Switch & Grounding Switch 33 kV-380kV
3.22	31-TMSS-01 (Rev. 0)	Panels, Relay and Control
3.23	31-TMSS-02 (Rev. 0)	Auxiliary AC/DC Panels
3.24	32-TMSS-1 (Rev. 1)	Metal-Clad Switchgear, 13.8kV,33 kV or 34.5kV
3.25	35-TMSS-01 (Rev. 0)	Surge Arresters
3.25a	40-SDMS-02A Rev 06	Electronic Revenue CT/VT Meters
3.26	40-TMSS-2 (Rev. 0)	Metering Devices
3.27	46-TMSS-06 (Rev. 0)	Vented Type, Nickel-Cadmium, Stationary Battery Bank
3.28	46-TMSS-02 (Rev. 0)	Battery Chargers
3.29	48-TMSS-06 (Rev.0)	Medium Density fibre Optic terminal Equipment.
3.30	51-SDMS-01 (Rev.2)	Distribution Transformers up to 36KV
3.31	53-TMSS-01 (Rev. 1)	Power Transformers, Rated 2 MVA up to 100MVA



SEC Distribution Materials Specifications

56-SDMS-06 Rev 0

DATE: 29-01-2013G

- | | | |
|------|-----------------------------|---|
| 3.32 | 54-SMSS-01
(Rev. 1) | Mineral Insulating Oil for Electrical Apparatus |
| 3.33 | 73-TMSS-5
(Rev. 0) | Centrifugal Exhaust Fans |
| 3.34 | 78-TMSS-01 to 12
(Rev.0) | Paints, Abrasives and protective coatings |
| 3.35 | 90-TMSS-1
(Rev. 0) | Panels, Fire Protective Signalling |
| 3.36 | 90-TMSS-3
(Rev. 0) | Portable Fire Extinguishers |

All blanks on the latest revision of Data Schedules, Inquiry Information (for TMSS/SMSS/SDMS) shall be properly filled-up by the manufacturer (as required) without omission and shall be submitted as part of the bid proposal.

3.37 COMPANY Engineering Standards

- | | |
|--------------------------|--|
| TES-B-106
(Rev. 0) | Fire Detection and Alarm System |
| TES-H-107
(Rev. 0) | Paints and coatings |
| TES-K-100.01
(Rev. 0) | Heating, Ventilating and Air Conditioning System Design |
| SES-P-103 | Batteries and UPS Standards |
| TES-P-103.03
(Rev. 0) | Battery Charger Sizing |
| TES-P-103.04
(Rev. 0) | Storage Battery Installation |
| TES-P-104 | Underground Cable Engineering Standards |
| TES-P-119
(Rev. 0) | Substation Design Standards
(Partly supersedes SES-P-119) |



SEC Distribution Materials Specifications

56-SDMS-06 Rev 0

DATE: 29-01-2013G

TES-P-119 Substation Design Standards

(Note: This standard shall be referred to only for those portions which are not yet covered by TES-P-119).

TES-S-101 Safety and Security Standards
(Rev. 0)

TES-W-109.01 General Welding Criteria
(Rev. 0)

3.38. COMPANY Construction Standards

TCS-P-104 Underground High Voltage Cable Installation Standards
(Control Sheet Issue # 5 except for following subsection)

TCS-P-104.06 Cable Installation, Field Handling Procedures
(Rev. 0)

TCS-P-105 Pre-Commissioning Tests/Procedures for SEC Transmission
Electrical Installations
(Rev. 0)

TCS-T-111.01 Acceptance/Commissioning, Test and Inspection of
Communications Network Equipment
(Rev. 0)

3.39. COMPANY Standard Drawings

SB-036084 Standard Sign – Danger High Voltage Keep Away
(Rev. 1)

SE-036809 Standard Sign, Danger High Voltage, Bone & Skull
(Rev. 4)

SE-1191934 Standard Drawing for Signboard on Substation Building
(Rev. 2)

3.40. Other Standards

SEEDS-II Saudi Electricity Company Engineering Drawings Standard
(Rev. 0) for Preparing, Processing and Managing Transmission
Drawings/Documents Engineering Drawings Standard

UP Uniform Plumbing Code

**SEC Distribution Materials Specifications**

56-SDMS-06 Rev 0

DATE: 29-01-2013G

4.0 BASIC REQUIREMENTS AND GUIDELINES**4.1 General**

- a) All equipments shall be compact, simple for operation with highly secured performance.
- b) The mobile Substation shall be suitable to operate at ambient temperature varying from 55 °C to – 5 °C, under dusty, dry climate out door conditions as given in 01-SDMS-01.
- c) All equipments shall comply to the Specifications of SEC and relevant IEC Standards.
- d) Suitable compact trailers shall be proposed.

4.2. Bid Proposal

The Manufacturer shall provide the following along with his bid proposal, in addition to the requirements stipulated in the Purchase Order or Contract documents:

- (a) Scope of Equipment Supply.
- (b) Data Schedule for all SEC Materials Standard Specifications (SDMS, TMSS and SMSS) as given under clause 3 of this Specification shall be duly filled-in.
- (c) Technical literature, brochures and list of users in the electric utility sector.
- (d) Complete type test reports/certificates of all major equipment of the Mobile Substation.
- (e) A declaration from the Manufacturer that the bid proposal is in accordance with the technical Specifications and associated SEC, material Standard Specifications. Otherwise the Manufacturer must state clearly any exception or deviation items from SEC Standards, these guideline Specifications and drawing plans and the reasons for exceptions or deviations.
- (f) All documentation relating to this project shall be in English.

**SEC Distribution Materials Specifications**

56-SDMS-06 Rev 0

DATE: 29-01-2013G

4.3. Base Design Phase

The base design phase is a period of 4-6 weeks of preliminary design following the issue of Purchase Order or award of Contract.

Six (6) sets of the base design package shall be submitted to SEC for review and comments at the base design review meeting which will be held by the SEC four (4) weeks after the receipt of the base design package.

The base design document shall consist of :

- a) Detailed list of equipment to be supplied.
- b) Following design drawings, as a minimum, but not limited to:
 - Drawing Control Sheet.
 - One-Line Diagram (Main one-line diagram, AC and DC auxiliary one-line diagram, etc.)
 - General arrangement of the Mobile Substation (giving details of various components)
- c) Literature (specifications, manuals, brochures, drawings and completed Data Schedules) of the following materials, as a minimum, but not limited to:
 - 1) 10 MVA or 20MVA 33/13.8kV Transformer with On Load Tap Changer (Maintenance Free On load Tap Changer)
 - 2) 33kV and 13.8kV Metalclad Switchgear including ground switches, CT's, PT's, Fuses, etc.
 - 3) Batteries (Ni-Cd).
 - 4) Battery Charger.
 - 5) Air Conditioning System.
 - 6) Auxiliary Transformer for station service.
 - 7) Meters and Relays.
 - 8) Trailers for Mobile Substation.
- d) Following calculations and specifications, as a minimum, but not limited to:
 - 1) Power Transformer rating with and without cooling.

**SEC Distribution Materials Specifications**

56-SDMS-06 Rev 0

DATE: 29-01-2013G

- 2) CT and PT Sizing, including auxiliary CTs.
- 3) AC and DC auxiliary supply design with sizing of auxiliary transformer, batteries, chargers, etc.
- 4) Air Conditioning System load calculations.
- 5) Grounding Conductor Sizing.
- 6) Trailer load distribution calculation.

e) Details of site commissioning tests to be carried out.

4.4 Design Review Drawings

Following the base design phase, other detailed/manufacturer drawings shall be submitted by the Manufacturer for approval by SEC. The list of detailed drawings to be submitted for approval shall be mutually agreed to between the Manufacturer and SEC.

4.5. Manufacturer Progress Reporting

The Manufacturer shall submit to the SEC, a monthly progress report on the manufacture of the Mobile Substation.

The progress report shall include among other items:

- a) Design.
- b) Procurement of Components.
- c) Testing and Commissioning.
- d) Overall Completion.

The format shall be mutually agreed to between the Manufacturer and SEC.

4.6 Test and Inspection

All equipment and materials shall be subject to inspection and tests as required in relevant SEC Materials Standard Specification, QA/QC Procedures and applicable industry standards or as may be decided by the SEC.

All design (type) and production (routine) tests prescribed in relevant SEC Materials Standard Specifications shall be performed in accordance with the applicable industry standards. In lieu of

**SEC Distribution Materials Specifications**

56-SDMS-06 Rev 0

DATE: 29-01-2013G

actual design (type) tests, the Manufacturer may submit complete certificate reports or tests performed previously on identical units to the SEC for review and approval during the bidding stage.

- a) The Manufacturer shall submit for all major equipment a detailed testing and Inspection program of respective manufacturers to the SEC for review, at least three (3) months before the commencement of manufacturing.
- b) The Manufacturer shall employ a reputable independent vendor inspection agency to witness factory tests and inspect the equipment and materials that will be purchased for the manufacture of this Mobile Substation. The Manufacturer shall submit pre-qualification documents for his proposed vendor inspection agency for approval of SEC. The Manufacturer shall provide all technical specifications to the independent vendor inspection agency. The entire test inspection report shall be submitted for acceptance by the SEC.
- c) SEC will also send its employees or its inspectors to witness the factory tests and Manufacturer will bear all the expenses involved.
- d) Four (4) initial sets of all factory tests reports shall be submitted by the Independent inspection agency to the SEC for review and approval. The equipment shall not be shipped ex-factory unless the test reports have been accepted, and shipping clearance is given by SEC.
- e) It shall be the vendor's responsibility to obtain all the necessary Certificates of Conformity and/or other documentation required for import and/or registration of the unit.
- f) The unit shall undergo the vendor's mandatory Pre-Delivery Inspection (PDI). Prior to the delivery, the PDI documents shall be forwarded to SEC for approval.

4.7 Commissioning and Site Tests

The guidelines for Commissioning Tests and Checks as per SEC Standards and Specifications witnessed by SEC personnel:

The Manufacturer shall develop detailed commissioning and equipment site tests based on the requirements of SEC Standard.

Due to the mobile nature of the Substation, initial commissioning tests will be performed at a SEC station located convenient for commissioning.

**SEC Distribution Materials Specifications**

56-SDMS-06 Rev 0

DATE: 29-01-2013G

During or after commissioning, training shall be given to operations staff covering the Operations and Maintenance of the complete unit.

A list giving full details of the site tests, tools and equipment to be used shall be submitted by the Manufacturer for review and acceptance by SEC, six (6) months prior to the scheduled date of tests. Scheduled dates of all field/site tests shall be submitted to SEC two (2) months prior to arrange for the REPRESENTATIVES of SEC to witness the tests.

The commissioning and equipment site testing shall be done in strict compliance with the normal work schedule of SEC i.e. 8 hours per day, 5 days per week.

4.8 Record Books

Upon completion of the manufacture, the Manufacturer shall submit eight (8) sets of record books containing the following documents as a minimum:

- a) Approved design and manufacturer drawings.
- b) All calculation sheets.
- c) Brief technical specification of all components.
- d) Operation and maintenance manual consisting of:
 - Manufacturer's instructions manual applicable to each component or material.
 - Manufacturer's set-up procedures, including mechanical tolerances for maintenance or repair purposes.
 - Complete set of Manufacturer's drawings and catalogs with identified parts for each device and other essential information for SEC cataloging and ordering replenishment parts.

Note: All documents in item (d) shall be originals.

**SEC Distribution Materials Specifications**

56-SDMS-06 Rev 0

DATE: 29-01-2013G

4.9 Spare Parts and Special Tools

Manufacturer shall include in their bid price for special tools and for all recommended spare parts sufficient for five (5) years of operation of this mobile substation. In this regard, a list of such special tools and spare parts shall be provided as part of bid.

4.10 Warranty

A minimum warranty of twenty four (24) months shall be granted with effect from the final acceptance/commissioning date by SEC. The limits shall be those submitted with the bid and accepted by SEC.

4.11 Long Term Storage

The Mobile Substation may be required to be parked in a de-energized condition for a considerable length of time. The Manufacturer shall provide suitable arrangements to keep the Mobile Substation in operating condition and shall provide routine inspection requirements to be carried out during the Storage period. Facilities should be available to charge the Batteries during long time storage.

5. SCOPE OF SUPPLY

5.1. Tenderer shall design, Manufacture, test at Factory, supply and do site commissioning of Containerized Mobile Substation (Compact in Design) to the standards and Specifications of SEC, with following major materials/equipment as covered under this scope of supply (all materials/equipments shall be acceptable only from SEC pre-qualified sources):

5.2. Transformers

- One 10 MVA (ONAN) or 13/20MVA (ONAN/ONAF) – 33/13.8KV Power Transformer
- One 150kVA – 13.8kV/400 Volt 3 Phase Auxiliary Transformer.

5.3. MV Switchgear

One Set of M.V. Switchgear consisting of one (1) 33kV Panel 800 Amps, for 10 MVA or 13/ 20MVA Power Transformer, and one (1) 33KV Feeder Panel 800 Amps, with relays, Control, Protection, Alarms and metering, integrated with Switchgear as per the attached SLD.



SEC Distribution Materials Specifications

56-SDMS-06 Rev 0

DATE: 29-01-2013G

One Set M.V. Switchgear consisting of one (1) 13.8kV Incomer Panel 1250 Amps and four (4) Feeder Panels 630 Amps with Relays, Control, Protection, Alarms and metering, integrated with Switchgear itself, suitable for both O/H and U/G feeders as per the attached SLD and as per the attached Annexure-I for CT requirements .

5.4 Power Cables and Cable Accessories

Transformer and M.V. Switchgear shall be connected by suitable 33kV and 13.8kV Cables with heat shrink or cold shrink or plug type terminations.

5.5 DC Supply

One Set Batteries (Ni-Cd), and battery charger and Distribution Panels for 48 or 125 Volts D.C. Voltage System and A.C. Auxiliary Voltage System with (ATS) automatic transfer switch.

5.6 Trailer

Complete substation shall be installed on one trailer accommodating fenced 10 MVA or 13/20MVA – 33/13.8KV power transformer and 150kVA – 13.8kV/220V 3 phase auxiliary transformer, and containerized 33kV and 13.8kV switchgear panels, batteries, battery charger and air conditioning system. Trailer shall be according to KSA Standards and provided with anti-vibration pads and vibration recorders with alarm facility. The total maximum height of the Mobile Substation including Trailer shall not exceed 4 meters from the ground level, for safe transportation in Saudi Arabia.

5.7 Grounding

Grounding conductor [ground bus of flat configuration] shall be provided along the length of trailers on both sides. The material of Conductor shall be Copper with minimum Cross Section area of 240 Sq. mm. All the grounding points of the components in trailers shall be connected to both the grounding bars. Two grounding pads shall be provided at opposite corners of trailers for connection to nearest Substation Earthing System.

5.8 Protection

Protection equipments and Protection Schemes complete in all respects will be tested and Commissioned on Site by the Manufacturer/Tenderer in accordance to SEC Standard requirements with adequate proposed Settings for Commissioning. Any Sub Contractor shall be from SEC pre- qualified approved list of contractors.



SEC Distribution Materials Specifications

56-SDMS-06 Rev 0

DATE: 29-01-2013G

5.9 Surge Arresters and VTs

33KV surge arresters and VTs shall be placed at suitable locations.

6. REQUIREMENTS OF MAJOR MATERIALS AND EQUIPMENT

All major material and equipment shall meet the following requirements:

6.1 Power Transformer (as per 53-TMSS-01)

One 10 MVA or 13/20MVA 2-Winding [33/13.8kV] with On- Load Tap Changer (Maintenance Free On load Tap Changer) on 33kV Side as detailed below:

1. Service Condition : Outdoor.
Capacity : 10 MVA continuous rating (ONAN) or 13/20MVA (ONAN/ONAF).
- b. Voltage of H.V. Winding 33kV (Capacity 10 or 20MVA)
Voltage of L.V. Winding 13.8kV (Capacity 10 or 20MVA)
- c. Basic Impulse Level (BIL)
HV (33kV) - 170 or 200KV
LV (13.8kV) - 95 or 110 KV
LV Neutral – 95 or 110 KV
- d. System Earth –
LV (13.8kV) – Solidly Grounded or Resistance Grounded as specified in Data Schedule
1. Frequency – 60 Hz.
- f. Vector Group Dyn1 or Yyn0 as specified in technical data schedule
1. Impedance (Percentage) at 10 or 20MVA

Minimum Impedance at normal Tap 33/13.8kV - 8 %

Manufacturer to supply impedance values at all Tap positions.
1. Ambient Temperature : 55 °C.



SEC Distribution Materials Specifications

56-SDMS-06 Rev 0

DATE: 29-01-2013G

1. Temperature Rise of oil Above Ambient Temp. : 45 °C
Temperature Rise of Winding above ambient temperature 50 °C
- j. ON Load taps on 33kV winding. The ON LOAD tap-changer shall be from reputed manufacturer (in the pre-qualified SEC list) and can withstand vibration, jerks etc due to drive on rough roads from place to place at very long distance (say 350- 750 kilometers) at a time without damage or make loose connection to it is various component & fitting.
Confirmation certificate from OLTC manufacturer shall be submitted along with the offer.
 - . – Full Capacity, number of steps & voltage
 - Number of taps : 17
 - Above rated volts 5 steps at 1.25 %
 - Below rated volts 11 steps at 1.25 %
1. Insulating Medium : Oil (Uninhibited, class 1 as per IEC-296) 54-TMSS-01R1
1. Method of Cooling : ONAN (10 MVA) or ONAN/ONAF (13/20)
- m. Noise Level : 80 dB (maximum)
- n. Fan Supply : 400V, 3-Phase, 60 Hz
- o. Suitable H.V. and LV Bushing CTs including Bushing CTs in Neutral ends, for Protection Scheme.
- p. Control voltage : 48 or 125 VDC.
- q. Transformer Losses – as per clause 4.2.4 of SEC Specification 53-TMSS-01R1
- r. Bushing Connection –
 - HV Side Cable box, dry type connection, air insulated.
 - LV Side Cable box, dry type connection, air insulated.
- s. Accessories and General Conditions:
All Standard Accessories shall be provided:
Note: All Transformer Accessories shall be from pre-qualified Manufacturer



SEC Distribution Materials Specifications

56-SDMS-06 Rev 0

DATE: 29-01-2013G

- Oil Temperature indicator shall have alarm & trip contacts wired up to terminal block(Minimum two pairs of contacts).
- Transformer shall be installed over anti-vibration pads on trailer.
- Winding Temperature Indicator shall have Fans ON and OFF contacts, alarm & trip contacts wired up to terminal block (Total 4 pair of Normally open contacts).
- Buchholz relay shall be provided both for main tank and LTC tank.
- Main Buchholz shall have gas releasing / gas sampling facility brought at man height.
- Main Buchholz shall have alarm and trip contacts wired up to terminal block.
- Pressure relief device shall be available on transformer main tank and OLTC tank..
- All routine tests shall be done as per IEC-60076 (latest version).
- The Transformer shall be core type, and the main tank cover shall be bolted type on the upper side.
- Suitable, large size man hole shall be available, one Each on 33kV and 13.8kV Side, and one near to ON Load Tap Changer.
- Common Features:

	33 KV	13.8 KV
Max. System Voltage (KV)	36	17.5
BIL (KV)	170 or 200	95 or 110

- t. Line gas monitoring equipment to be included.
- u. Short Circuit Current for 2 sec shall be 25KA

6.2 Auxiliary Transformer and Auxiliary Supply (as per 51-SDMS-01)

Capacity – Group -	150	KVA	Vector Group Dyn11
Primary Voltage	13.8	KV	
Secondary Voltage	400	V	
Impedance	4.5	%	



SEC Distribution Materials Specifications

56-SDMS-06 Rev 0

DATE: 29-01-2013G

- The Auxiliary Transformer shall be protected under the differential zone of power transformer.
- One Isolator at its primary side and one Load Break Switch on L.V. side shall be provided.
- Suitable Distribution System shall be provided with suitable flexible cables (including supply of cables of 100m lengths).

6.3 MV Switchgears (as per 32-TMSS-01)

1) 33kV Switchgear

- Bus Bar 1250 A Capacity 1 set
- 10 or 13/20 MVA Transformer Panel 800 A, 1 Set with built-in earth switch (incoming side) installed with digital type energy meter as per 40-SDMS-02A, Rev 06. .
- Feeder Panel 800 A, 1 Set with built-in earth switch (outgoing side).
- 1 Set of 3-phase V.T. connectd to Bus Bar ($33\text{kV}/\sqrt{3}/110\text{V}/\sqrt{3}$), as per specification:
 - Wdg-1 = 0.2/3P, 25 VA
 - Wdg-2 = 0.2/3P, 25 VA

b) 13.8kV Switchgear:

- Bus Bar 1250 Amps 1 Set.
- Incomer Panel 1250 Amps 1 Set with built-in earth swtich (incomer side).
- Feeder Panel 630A 4 Sets with built-in earth swtich (Outgoing Feeder).
- 1 Set of 3-phase V.T. connected to Bus Bar ($13.8\text{kV}/\sqrt{3}/110\text{V}/\sqrt{3}$) as per specification:
 - Wdg-1 = 0.2/3P, 25 VA
 - Wdg-2 = 0.2/3P, 25 VA

Note: P.T. Set, for Both Switchgears shall be suitably located and properly protected. The P.T. shall be draw-out type with draw out type fuse protection on M.V. Side.

- For Gas Insulated medium voltage Switchgear the following shall be included:
 - Pressure gauges
 - Service valves for gas tapping or refilling.



SEC Distribution Materials Specifications

56-SDMS-06 Rev 0

DATE: 29-01-2013G

- The breakers shall be SF6/Vacuum type.
- Relays, control, Protection and alarms integrated with Switchgear and in accordance with attached SLD
- All panels connected together and wired-up fully.

6.4) D.C. System (as per 31-TMSS-01 and 46-TMSS-02 and 46-TMSS-06)

D.C. Voltage – 48 or 125 Volts. Input Voltage – 400 Volts, Output Current – 20 Amps AC, 60 Cycles.

“Ni-Cd” – batteries suitable for 48 or 125 volts. Capacity of batteries: 100 amp hrs. Charger with constant voltage type rectifier with drop out diode range D.C. Volt 2%.

Suitable D.C. Distribution System will be provided in trailer with suitable plug-in type flexible cables (including supply of cables), Ammeter 0-30 Amps, volt meter 0.70 volts (30 % spare required in Distribution Board). Battery monitoring alarm equipment shall be provided at the D.C. Distribution Board.

6.5) Air Conditioning System (as per 73-TMSS-01)

Air Conditioning System split type design shall be based on “Service Conditions” as given in 01-SDMS-01. Two (2) units shall be provided with ≥ 24000 Btuh capacity each.

6.6) Control and Protection (as per 31-TMSS-01)

Protection and Controls shall be as per single line diagram (clause 12) and as per CT requirements (clause 10):

- (a) Protection Equipments for 33kV-13.8kV SWITCHGEAR and Power Transformer shall be from Suppliers approved by SEC. All Protection & control relays shall be as per SEC Specifications and relay approved list.
 - (b) Other Requirements:
C.T.s requirements with details are as per Clause 10.
- I For 33KV feeder panel (OHL+UG):
The protection shall be multifunctional numerical relays O/C & E/F with IDMT.



SEC Distribution Materials Specifications

56-SDMS-06 Rev 0

DATE: 29-01-2013G

- (d) Lock-out relay 86T will be provided for tripping HV and LV breakers of transformers, through all main transformer protections.
- (e) Mobile Substation shall be with receiving end facility.
- (f) Relay Settings calculations with complete data shall be submitted at least two month before the date of commissioning of the circuit.
- (g) All four (4) 13.8KV panels shall have multi function relays
- (h) Provide IFC properly wired.

6.7) 33KV – 13.8KV Power Cables and Accessories (as per 11-SDMS-01) and (as per 12-SDMS-01)

33KV Cables shall be 3X240mm sq Copper and 13.8KV Cables shall be 3X300mm sq Copper XLPE insulated and shall be resistant for corona, partial discharge, ozone and ultra violet rays and shall constitute connections for switchgear and Power Transformer of Mobile S/S, as per SEC Specification 11-SDMS-01.

Terminations shall be Heat Shrink or Cold Shrink or Plug-In type, meeting all requirements of SEC Specification 12-SDMS-01.

6.8) Trailer

The major specifications of the trailer are as follows:

Kingpin	: 3.5 inch diameter locking surface conforming to SAE J848a.
Kingpin Plate Height (loaded)	: 1450 mm
Kingpin to Front of Trailer (Max.)	: 600 mm
Swing Clearance (Min)	: 2160 mm

**SEC Distribution Materials Specifications**

56-SDMS-06 Rev 0

DATE: 29-01-2013G

Ground Clearance (landing legs : 500 mm
at travelling portion)

Limits for trailer are 4m height, 3.5m width and length as 16m with maximum towing speed of 50 kph.

However, the Manufacturer shall quote based on their manufacturing standard.

The minimum turning radius of the combination shall be supplied by the manufacturer.

The trailer shall consist of the following accessories, as minimum but not limited to:

- a. Chassis: For securely mounting the substation and its components.
- b. King Pin: Heavy duty king pin of specifications as mentioned above.
- c. Brakes: Air system brakes to hold the trailer under emergency conditions when towing truck is disconnected. The Manufacturer shall specifically indicate the duration for which the emergency brake is active.
- d. Spare Tire: Spare tire and rim.
- e. Landing Legs: Two speed heavy duty gears change with flat feet for leveling the unit and removing load from the tyres. More than one leg set is necessary for this application.
- f. Chock Blocks: Chock blocks or stopper for use when the substation is parked.
- g. Storage Compartment: For storage of substation and trailer spares.
- h. Warning Lights: Two (2) red lights (minimum) indicating the substation is charged.
- i. Lighting: 12 Volt lighting system utilizing towing truck battery system, side markers, stop and tail lighting shall conform to FMVSS-108 minimum. Wiring shall run through protective conduit and be to

**SEC Distribution Materials Specifications**

56-SDMS-06 Rev 0

DATE: 29-01-2013G

ISO standards.

- j. Other miscellaneous items like, Jacks, mud flaps, towing eyes and bumper, connecting structures for in and out going circuits, etc.
- k. The trailers shall be provided with side covers, doors etc., canopy or collapsible or slidable, to protect the equipments from weather conditions.
- m. A suitable enclosure shall be installed to house all switchgear, battery and battery chargers, AC & DC distribution System with a provision for an operator for operating the equipments, and enough space for drawing out breakers. The same shall be provided with suitable capacity air conditioner, entrance doors, ladders, extensions, fluorescent lights, heat detectors for battery room, smoke detector for switchgear room, Fire Fighting Equipment, etc. (see attached clause 13)

6.9. Nameplates

- 6.9.1 All main components of mobile substation shall bear a nameplate permanently and legibly marked in English with the information in accordance with IEC Standards or equivalent, plus the following additional information :
1. SEC Purchase Order Number or Contract Number or J.O. Number.
 - b. 56-SDMS-01, Rev.0.
- 6.9.2 The mobile substation shall have a diagram plate showing incoming/outgoing winding connections, voltage and current ratios.
- 6.9.3 All the outgoing feeders shall be provided with blank name plates for writing the feeder number information.
- 6.9.4 The nameplate and diagram plate material shall be stainless steel and fastened to the equipment by stainless steel screws or rivets.
- 6.9.5 The mobile substation shall have a “Danger High Voltage” warning sign written in Arabic and English per SEC Standard Drawing nos. SE-036809 and SB-036084.



SEC Distribution Materials Specifications

56-SDMS-06 Rev 0

DATE: 29-01-2013G

7.0 TESTS

7.1 All equipment shall be tested in accordance with the latest applicable IEC or ANSI/IEEE Standards, and complete inspection test plan (ITP) shall be submitted for SEC approval.

7.1.1 Type (Design) Tests

1. All type tests prescribed in the applicable IEC or ANSI/IEEE Standards shall be performed on the first unit of every new design, rating or size of the corresponding equipment to be supplied to SEC, in accordance with Table below.
- b. Certified test reports of type tests performed earlier on identical equipment acceptable to SEC may be submitted for review and acceptance in lieu of the required type tests.

7.1.2 Routine (Production) Tests

All routine tests prescribed in the applicable IEC or ANSI/IEEE Standards shall be performed on the corresponding equipment in accordance with Table I below.

7.2 Tests for relays, meters and instruments may comply with the manufacturer's standard tests. Relay circuits shall be tested with simulated currents for proper operation.

EQUIPMENT	APPLICABLE STANDARD
Complete Switchgear Assembly	IEC 62271-200 or ANSI/IEEE C37.20.2.
Circuit Breakers	IEC 62271-100 or ANSI C 37.09
Grounding Switches	IEC 62271-102
Transformers	IEC 60076 or ANSI C57.12
Instrument Transformers	IEC 60044-1 and IEC 60044-2 or ANSI C57.13.2



SEC Distribution Materials Specifications

56-SDMS-06 Rev 0

DATE: 29-01-2013G

8.0 TECHNICAL DATA SCHEDULES

NAME OF BIDDER:

ADDRESS:

SEC ENQUIRY No:

DATE:

DESCRIPTION	DATA	
	REQUIRED	OFFERED
1: <u>POWER TRANSFORMER:</u>		
a) Type.....		
b) Service condition	Out door	
c) Capacity (MVA)	10 or 13/20	
d) Rated Voltage:		
H.V. Winding (KV)	33	
L.V. Winding (KV)	13.8	
e) Basic Impulse level:		
H.V.		
L.V. 95 or 110KV	170 or 200KV	
H.V. Neutral, 95 or 110KV	95 or 110KV	
L.V. Neutral, 95 or 110KV	95 or 110KV	
f) System earthing:		
L.V. (13.8kV)		
Grounding:	Solidly or Resistance Grounded	
g) Frequency [Hz]	60	
h) Vector Group	(Dyn1 or Ynyn 0)	
i) Impedance at 10 MVA or 20MVA at normal tap	8 %	
j) Temperature rise above ambient (55 °C):		
Oil [in °C]	45	



SEC Distribution Materials Specifications

56-SDMS-06 Rev 0

DATE: 29-01-2013G

Winding [in °C]	50	
k) ON Load taps: No. of taps Above rated Volts at 1.43% Below rated Volts at 1.43%	17 5x1.25% 11x1.25%	
l) Insulating Medium	Oil	
m) Cooling,	10MVA (ONAN) and 13/20MVA (ONAN/ONAF)	
a) Fan Supply: Voltage (V) Phase Frequency [Hz]	400 3 60	
b) Control Voltage (V. D.C.), 48 or 125		
c) Maximum Short Circuit Current (KA) for 2 sec:	25	
2: <u>AUXILIARY TRANSFORMER:</u>		
a) Type.		
b) Capacity (KVA)	150	
c) Vector Group	Dyn11	
d) Primary Voltage (KV)		
e) Secondary Voltage [Phase-Phase V]	13.8	
	400	
f) No. Phase	3	



SEC Distribution Materials Specifications

56-SDMS-06 Rev 0

DATE: 29-01-2013G

g) Impedance	4.5 %	
h) Primary Side	Isolator	
i) Secondary Side	Load break switch	

DESCRIPTION	DATA	
	REQUIRED	OFFERED
3: <u>33KV SWITCHGEAR:</u>		
a) Type		
b) Rated Voltage (KV)	33	
c) Bus bar rating (Amp)	1250	
d) Rating panels (Amp)	800	
e) Breaker type	SF6/Vacuum	
4: <u>13.8KV SWITCH GEAR:</u>		
a) Type ..		
b) Rated voltage (kV)	13.8	
c) Bus bar rating (Amp)	1250	
	1250	



SEC Distribution Materials Specifications

56-SDMS-06 Rev 0

DATE: 29-01-2013G

d) Transformer panel rating (Amp)	630	
e) Feeder panel rating (Amp)		
f) Breaker type	SF6/Vacuum	
5: <u>D.C. SYSTEM:</u>		
a) Nominal Voltage [V. D.C.], 48 or 125		
b) Input Voltage (Phase neutral V) (A.C.)	230	
c) Output Current (Amp) [D.C.]	20	
d) Frequency [Hz]	60	

DESCRIPTION	DATA	
	REQUIRED	OFFERED
5: <u>D.C. SYSTEM:</u> (Contd.)		
e) Type of Battery	Ni-Cd	
f) No. Cells	100	
g) Capacity of batteries [Amp Hours]		
6: <u>A.C. SYSTEM:</u>		
a) Nominal Voltage [Phase-Phase,V]	400/230	



SEC Distribution Materials Specifications

56-SDMS-06 Rev 0

DATE: 29-01-2013G

b) Frequency [Hz]	60	
c) No. of phase	3	
7: <u>AIR CONDITIONING SYSTEM:</u>		
a) Type of AC	Split	
b) No. of Units [Duty/standby]	2	
c) Capacity per Unit [Btuh]	≥ 24000	
d) Power Supply, [V-P-Hz]	400/230-1-60	
8: <u>TRAILER:</u>		
a) Standard	K.S.A.	
b) King pin (Inch)	3.5	
c) King pin plate ht [mm]	1450	
d) King pin to front of trailer [Max. mm]	600	
e) Sewing clearance [minimum – mm]	2160	
f) Ground clearance [mm]	500	
g) Anti Vibration pads	Required	
h) Brake System	Air	



SEC Distribution Materials Specifications

56-SDMS-06 Rev 0

DATE: 29-01-2013G

i) Make / Type		
j) Loading Capacity, Tons		
k) Chasis Length, Meters		
l) Chasis Width, Meters		
m) Chasis Height, Meters		
n) Chasis Frame, meters		
o) Coupling		
p) Suspension		
q) Axles		
r) Tires		
s) Mudflaps		
t) Landing Gear		
u) Electrical System		
v) Finish		

Note: Data Schedule for all SEC Materials Standard Specifications (SDMS, TMSS and SMSS) as given under clause 3 of this Specification shall be duly filled-in and submitted with bid.



SEC Distribution Materials Specifications

56-SDMS-06 Rev 0

DATE: 29-01-2013G

9.0 SCHEDULE OF SCOPE OF WORK

Item	Quantity	DESCRIPTION	INCLUDED IN THE OFFER	
			YES	NO
1.	1	SUPPLY OF CONTAINERIZED MOBILE SUBSTATION (COMPACT IN DESIGN) TO THE STANDARDS AND SPECIFICATIONS OF SEC INCLUDING DESIGN, MANUFACTURE, TEST AT FACTORY AND DO SITE COMMISSIONING WITH FOLLOWING MAJOR EQUIPMENTS.		
1.1	1 Set	10 MVA 2 WINDING (33/13.8KV) POWER TRANSFORMER WITH ON LOAD TAP CHANGER ON 33KV SIDE INCLUDE-ING ON LINE GAS MONITORING EQUIPMENT AS SPECIFIED UNDER 6.1.		
1.2	1 Set	150 KVA 13.8KV/400V AUXILIARY TRANSFORMER AND AUXILIARY SUPPLY SYSTEM AS SPECIFIED UNDER 6.2.		
1.3	1 Set	33KV SWITCHGEAR WITH INCOMER PANEL FOR 10 MVA TRANSFORMER, 1 FEEDER PANEL, ONE SET OF V.T. AS SPECIFIED UNDER 6.3 (a).		
1.4	1 Set	13.8KV SWTICHGEAR WITH ONE INCOMER PANEL 4 FEEDER PANELS, ONE SET OF V.T. AS SPECIFIED UNDER 6.3 (b)		
1.5	1 Set	D.C. SYSTEM INCLUDING BATTERIES, BATTERY CHARGER AS SPECIFIED UNDER 6.4.		
1.6	2	SPLIT TYPE AIR CONDITIONING UNITS AS SPECIFIED UNDER 6.5.		
1.7	1 Set	SUITABLE CONTROL AND PROTECTION EQUIPMENTS AND PROTECTION AND CONTROL SCHEMES, INCLUDING , ALL THE REQUIRED RELAYS, WIRED UP PANMELS ETC. AS SPECIFIED UNDER 6.6.		
1.8	1 Set	33kv – 13.8kv POWER CABLES AND ACCESSORIES AS SPECIFIED UNDER 6.7.		
1.9	1 Set	TRAILOR (ONE) MOUNTED WITH ABOVE ITEMS 1.1 TO 1.8 AS SPECIFIED IN 6.8.		
1.10	1 Set	Special Tools and Spare Parts as under 4.9		
1.11	1 Set	ASSEMBLING, TESTING AND SITE COMMISSIONING AND TRAIANING AT SITE FOR OPERATION AND MAINTENANCE		
1.12	1 Set	SUPPLY OF REQUIRED DOCUMENTS, MANUALS FOR TESTING, COMMISSIONING AND OPERATION AND MAINTENANCE		



SEC Distribution Materials Specifications

56-SDMS-06 Rev 0

DATE: 29-01-2013G

10.0 CTs REQUIREMENT DETAILS

REFER TO ATTACHED SLD

NOTE: C.T.S # 9 and 10 will be in the Transformer LV Bushings in Y Phase and CT # 7 shall be in Transformer LV neutral Bushings only and rest of the C.T.S will be in the SWITCHGEAR.

CT # AS PER DIAGRAM ATTACHED	DETAILS	PURPOSE
1	800-400/1A CLASS: 5 P20 VA = 30 (at 800/1)	33KV MAIN OHL FEEDER PROTECTION. OHL+UG
2	800-400/1A CLASS: 5 P20 VA = 30 (at 800/1)	33KV FEEDER BACK-UP O/C + E/F PROTECTION. OHL+UG
3	800-400/1A, CLASS: 0.2 VA = 15 (at 800/1)	33KV UG FEEDER METERING MW, MVAR, AMMETER OHL+UG
4	600/1A CLASS: X KVP > 300V, RCT = < 3 Ω , Imag \leq 50 mA at V _{kp} .	33KV TRANSFORMER MAIN DIFFERENTIAL PROTECTION (87T)
5	600- 300/1A, CLASS: 5 P20 VA = 15 (at 300/1)	33KV TRANSFORMER Back Up PROTECTION
6	600- 300/1A, CLASS: 0.2 VA = 15 (at 600/1)	33KV CTs FOR TRANSFORMER FOR METERING MW & AMMETER
7	1200/1A CLASS: X, KVP > 400V RCT < 4 Ω , Imag \leq 50mA at V _k .	REF, PROTECTION, (64N)
8	800/1A, CLASS: 5P10 VA = 15VA	13.8KV NEUTRAL CT FOR STANDBY E/F + NEUTRAL CURRENT ALARM
9	418/5A CLASS: 1 VA = 50	FOR AVC RELAY IN 'Y' PHASE BUSHING ONLY
10	418/5A, CLASS: 1, VA = 10	FOR WINDING TEMPERAURE GAUGE IN 'Y' PHASE BUSHING ONLY
11	1200- 600 /1A CLASS: 0.2 VA = 15 (at 1200/1)	13.8KV CTs FOR TRANSFORMER METERING MW & AMMETER
12	1200- 600/1A CLASS: 5P20	13.8KV INCOMER BACK-UP O/C &



SEC Distribution Materials Specifications

56-SDMS-06 Rev 0

DATE: 29-01-2013G

	VA = 30 (at 1200/1)	E/F PROTECTION
13	1200/1A, CLASS: X, KVP > 400V, RCT < 4 Ω , I _{mag} ≤ 50mA at V _k .	MAIN DIFFERENTIAL PROTECTION + REF (87T + 64N)
14	800 - 400/1, CLASS: 5 P20 VA = 15 (at 400/1)	13.8KV O/G FEEDER O/C & E/F PROTECTION
15	800- 400/1A, CLASS: 0.2 VA = 15 (at 400/1)	13.8KV O/G FEEDER METERING AMMETER.

NOTES:

- 1) Matching C.T.s for Balancing Main Differential Protection (33, 13.8kV) should be provided with multi-taps and properly balanced with main C.T.s connected.
- 2) All C.T.s outputs shall be terminated on proper Terminal block having Shorting/ Isolating arrangements for Individual C.T.s. Closed ring Type Terminals should be used for all C.T wirings.
- 3) Adequate Settings for all relays will be proposed by the Manufacturer/Tenderer for testing and Commissioning at Site.
- 4) Adequacy of these C.Ts shall be provided by calculations.
- 5) Plug-in type connection shall never be used in CT circuitry.
- 6) The CT star point shall never be made directly on the CT secondary terminals.
- 7) Proper CT shorting and isolating arrangement shall be provided for each CT circuit and "11" terminals arrangement shall invariably be used to allow isolation of neutral and earth connections.
- 8) Spare CTs and relays one for each type and each rating used shall be provided by the Contractor.



11.0 REQUIRED LIST OF DOCUMENTS AND SCHEDULES TO BE SUBMITTED

A: WITH TENDER:

- 1- Schedule of Scope of Work.
- 2- Schedule of Supply of equipments.
- 3- Schedule of recommended spares including price.
- 4- Schedule of Technical datas (Data Schedule for all SEC Materials Standard Specifications (SDMS, TMSS and SMSS) as given under clause 3 of this Specification shall be duly filled-in).
- 5- Schedule of Codes and Standards adopted such as:
 - SEC-Saudi Electricity Company
 - SASO – Saudi Arabian Standard Organization
 - IEC

 - Other Standards, Codes, adopted.
- 6- Schedule, covering method of tests, test procedures quoting the Standards adopted.
- 7- Schedule of Site Commissioning, including site commissioning procedure.
- 8- Schedule of Technical deviations and other deviations.
- 9- Dimensioned drawings for major equipments, including general arrangements and layout.
- 10- Type test certificates for major equipments.
- 11- Reports of factor tests for equipments.
- 12- List of existing customers and experience in similar supply.
- 13- Price Schedule for each major equipments, separately showing ex-factory, transport, customs and for Commissioning and Training at site.
- 14- Details of manufacturing and test Schedule.
- 15- Required drawings for Control and Operation, Schematic and Wiring Drawings.

**SEC Distribution Materials Specifications**

56-SDMS-06 Rev 0

DATE: 29-01-2013G

- 16- Detailed erection, commissioning, operation and maintenance instruction manuals in English.
- 17- Transport/Delivery and Commissioning proposals.

B: AFTER ISSUE OF PO OR AWARD OF CONTRACT:

- 1- Factory test reports, site commissioning and site test reports.
- 2- Final as-built drawings and documents.

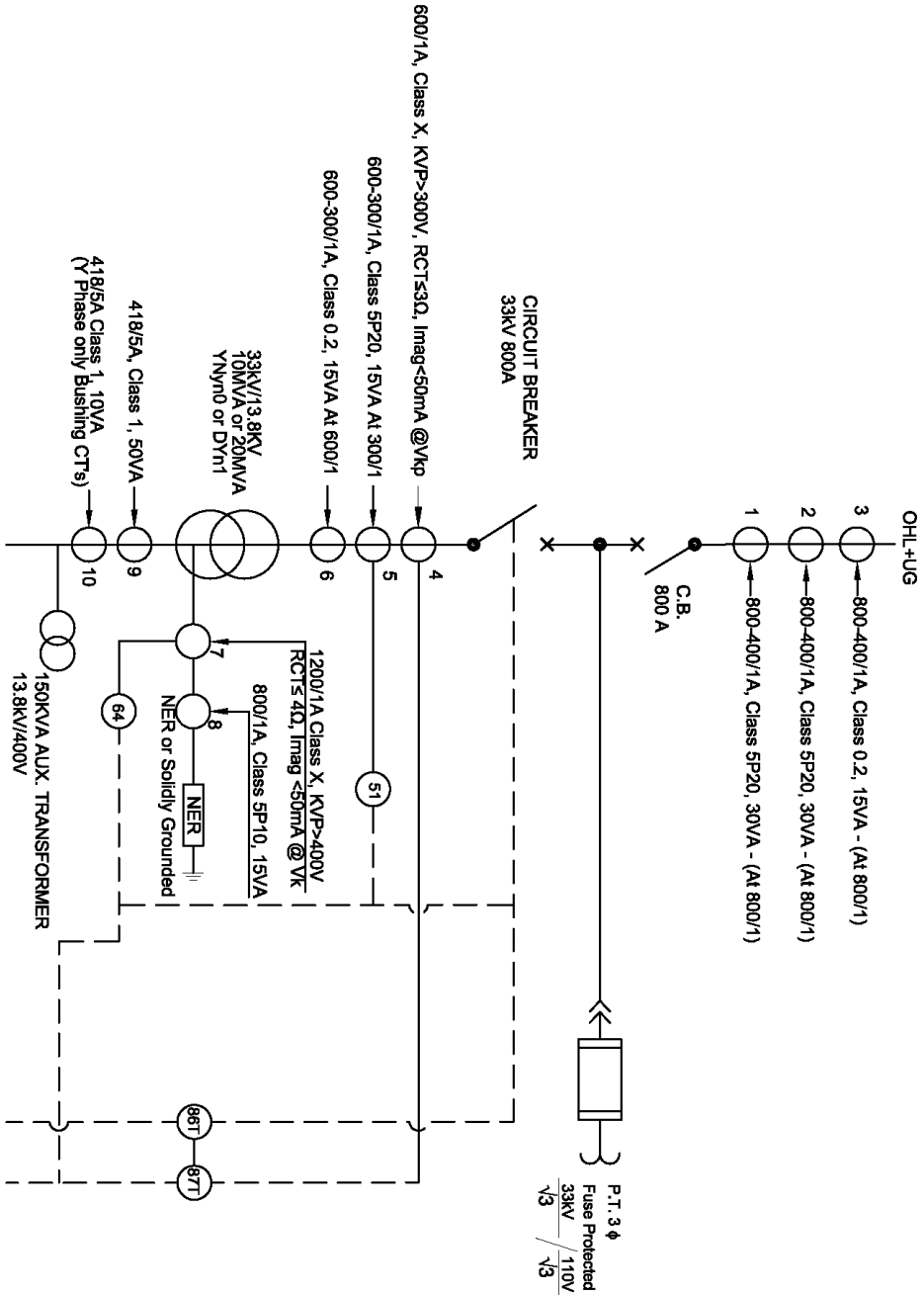


SEC Distribution Materials Specifications

56-SDMS-06 Rev 0

DATE: 29-01-2013G

12.0 Single Line Diagram (SLD)



Continued On The Next Sheet

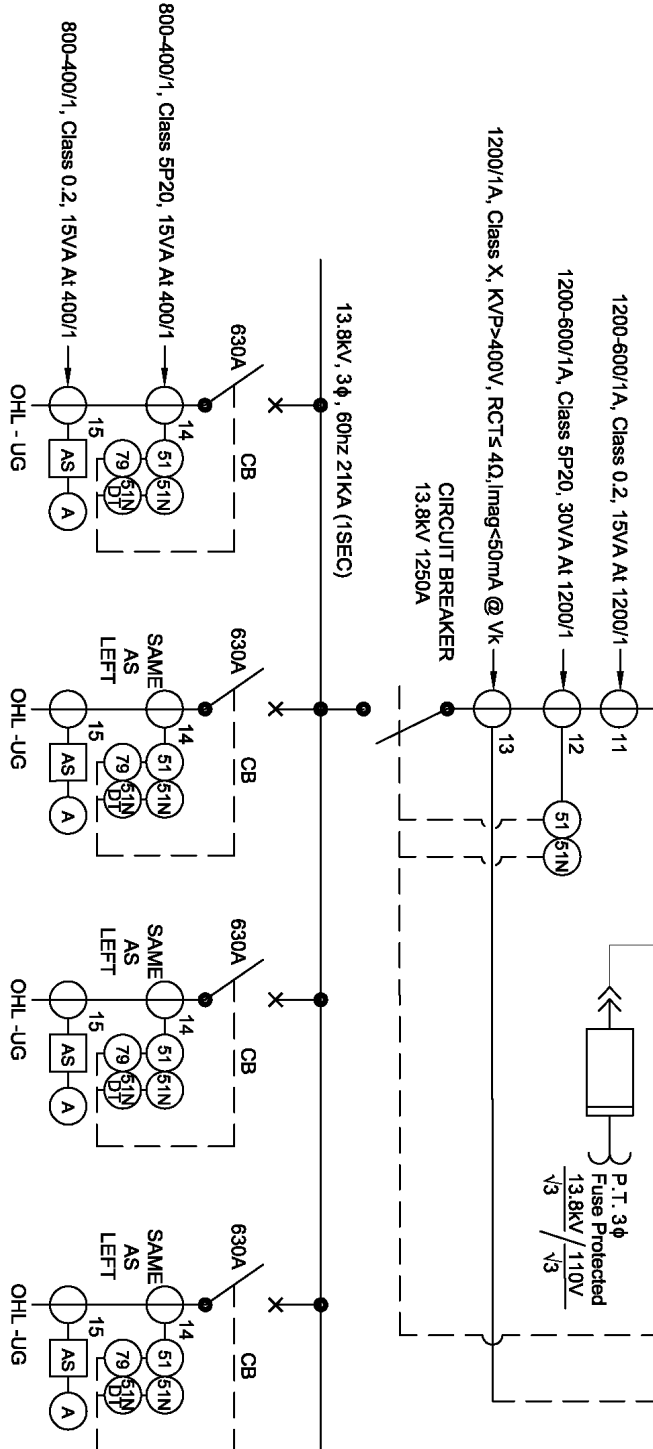


SEC Distribution Materials Specifications

56-SDMS-06 Rev 0

DATE: 29-01-2013G

Continued From The Previous Sheet



For Notes Please Refer To Next Sheet



SEC Distribution Materials Specifications

56-SDMS-06 Rev 0

DATE: 29-01-2013G

Continued From The Previous Sheet

79	AUTO RECLOSER	86T	LOCKOUT RELAY
51N DT	SENSITIVE EARTH FAULT RELAY	87T	TRANSFORMER DIFFERENTIAL RELAY, BIAS TYPE
V	VOLTMETER	90	AUTOMATIC VOLTAGE REGULATOR RELAY
A	AMMETER	VS	VOLTMETER SELECTOR SWITCH
51	OVER CURRENT RELAY, THREE (3) PHASE	AS	AMMETER SELECTOR SWITCH
64	RESTRICTED EARTH FAULT RELAY	OLT	ON LOAD TAP CHANGER EQUIPMENT
51 51N	OVER CURRENT RELAY, THREE (3) PHASE WITH EARTH FAULT RELAY	BCT	BUSHING CURRENT TRANSFORMER
96	BUCHHOLZ RELAY	PT	POTENTIAL TRANSFORMER

NOTE: LOCK OUT RELAY 86T WILL BE OPERATED THROUGH ALL TRANSFORMER MAIN PROTECTIONS VIZ: BUCHHOLZ RELAY, RESTRICTED E/F PROTIN MAIN DIFF: PROTIN, HV O/C + EF PROTIN, STANDBY E/F PROTIN ETC. AND WILL TRIP BOTH HV AND LV BREAKERS.