

Saudi Electricity Company



الشركة السعودية للكهرباء

SEC DISTRIBUTION GROUNDING STANDARD

SEC-02-02

DATE: April 26, 2006G

SEC-02-02

**PAD LOCKS AND CYLENDRICAL
LOCKS**

**This specification is property of SEC and
subject to change or modification without any notice**



CONTENTS

<u>Clause</u>	<u>Page</u>
1.0 SCOPE	3
2.0 OBJECTIVE	3
3.0 APPLICABLE CODES & STANDARDS	3
4.0 OPERATION PADLOCKS	4
5.0 CYLINDER	5
6.0 SAFETY PADLOCKS	6

**1.0 SCOPE:**

This specification describes both the padlock and a cylinder type lock to be used by SEC in the Distribution sector facilities as a safety and security locks and locking devices / arrangements to access, operate and control SEC plants and equipment. Both padlocks and cylinder type locks should be opened by one unified standard key. (Sample to be given by SEC).

Material for Hardware details and specifications of the latching and locking fixtures are described in fig (1) and fig (2) below.

2.0 OBJECTIVE:

This specification is written for different types of locks and locking devices / arrangements to be used in the Saudi Electricity Company SEC facilities in the Kingdom Of Saudi Arabia.

Locks and locking devices / arrangements are designed to prevent unauthorized access to SEC facilities, and are standardized to facilitate the access of the-authorized SEC personnel.

3.0 APPLICABLE CODES & STANDARDS:

- | | | |
|-----|-----------------|--|
| 3.1 | BS EN 1303:2005 | Building Hardware – Cylinder For Locks – Requirements And Test Methods |
| 3.2 | EN 12320:2001 | Building Hardware – Padlocks And Padlock Fitting – Requirements And Test Methods |



4.0 OPERATION PADLOCKS:

TYPE: KEY
 SIZE: 47.00MM
 MATERIALS: NICKEL PLATED BRASS
 CONSTRUCTION: 5-PIN TUMBLER MECHANISM, 2.00 MM THICK

TYPE: PADLOCK
 SHACKLED DIAMETER: 6.00 MM
 CASE SIZE: 40 MM WIDE X 33 MM HIGH
 HORIZONTAL CLEARANCE: 23 MM
 VERTICAL CLEARANCE: 23 MM
 MATERIALS: SOLID BRASS CASE CHROME PLATED
 CONSTRUCTION: 5-PIN SOLID BRASS LOCKING MECHANISM
 THICKNES: 17.2MM

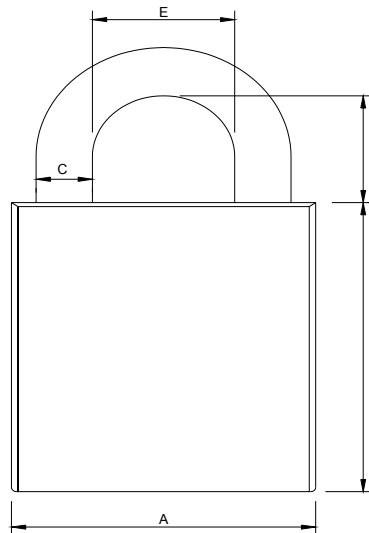


Fig (1)

PADLOCK DIMENTIONS	A	B	C	D	E
LENGTH IN (MM)	40	33	6	23	23



5.0 CYLINDER:

TYPE: KEY
 SIZE: 47.00MM
 MATERIALS: NICKEL PLATED BRASS
 CONSTRUCTION: 5-PIN TUMBLER MECHANISIM, 2.00 MM THICK (Double slotted)

TYPE: CYLINDER
 SHACKLED DIAMETER: 6.00 MM
 CASE SIZE: 45 MM WIDE X 33 MM HIGH
 HORIZONTAL CLEARANCE: 17 MM
 VERTICAL CLEARANCE: 33 MM
 CAM POSITION: 30°
 MATERIALS: SOLID BRASS CASE CHROME PLATED
 CONSTRUCTION: 5-PIN SOLID BRASS LOCKING MECHANISIM

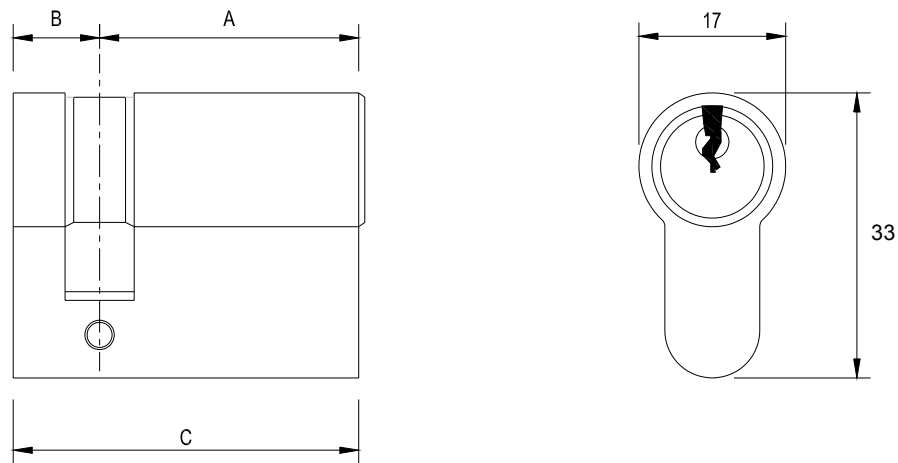


FIG (2)

CYLINDER DIMENTIONS	A	B	C
LENGTH IN (MM)	35	10	45



6.0 SAFETY PADLOCKS:

(Each safety lock shall be identified with different engraved serial numbers, with different set of key)

TYPE: KEY
 SIZE: 47.00MM
 MATERIALS: NICKEL PLATED BRASS
 CONSTRUCTION: 5-PIN TUMBLER MECHANISM, 2.00 MM THICK (Double slotted) WITH ENGRAVED SERIAL NUMBER

TYPE: PADLOCK
 SHACKLED DIAMETER: 6.00 MM
 CASE SIZE: 40 MM WIDE X 33 MM HIGH
 HORIZONTAL CLEARANCE: 23 MM
 VERTICAL CLEARANCE: 23 MM
 MATERIALS: SOLID BRASS CASE CHROME PLATED
 CONSTRUCTION: 5-PIN SOLID BRASS LOCKING MECHANISM
 THICKNES: 17.2MM
 COLOR: RED

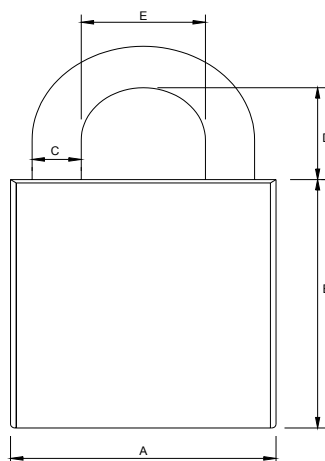


Fig (3)

PADLOCK DIMENTIONS	A	B	C	D	E
LENGTH IN (MM)	40	33	6	23	23